

KINGS POWER[®] TIME RECORDER

OPERATION MANUAL



KP-270

KP-370

KP-670

KP-970



KP-270A

KP-370A

KP-670A

KP-970A

We express our appreciation for your installation of this time recorder. This is a full-automatic time recorder controlling the function of time recording with a microcomputer. Time control will definitely be made in a more effective manner by the use of electronic programming.

Before using this time recorder, please be sure to read this manual carefully so you can have many years of reliable use.

Model	KP-270A/270	KP-370A/370	KP-670A/670		KP-970A/970				
Classification of date and time display	Analog Pointer and small LCD display				Digital Large LCD display				
	Function	KP-270A	KP-370A	KP-670A	KP-970A	KP-270	KP-370	KP-670	KP-970
Melody chime	<input type="radio"/>	<input type="radio"/>	<input type="radio"/>	<input type="radio"/>	<input type="radio"/>	<input type="radio"/>	<input type="radio"/>	<input type="radio"/>	<input type="radio"/>
External time signal	<input type="radio"/>	<input type="radio"/>	<input type="radio"/>	<input type="radio"/>	<input type="radio"/>	<input type="radio"/>	<input type="radio"/>	<input type="radio"/>	<input type="radio"/>
Perpetual calendar	<input type="radio"/>	<input type="radio"/>	<input type="radio"/>	<input type="radio"/>	<input type="radio"/>	<input type="radio"/>	<input type="radio"/>	<input type="radio"/>	<input type="radio"/>
Summer time	<input type="radio"/>	<input type="radio"/>	<input type="radio"/>	<input type="radio"/>	<input type="radio"/>	<input type="radio"/>	<input type="radio"/>	<input type="radio"/>	<input type="radio"/>
Auto compensation	<input type="radio"/>	<input type="radio"/>	<input type="radio"/>	<input type="radio"/>	<input type="radio"/>	<input type="radio"/>	<input type="radio"/>	<input type="radio"/>	<input type="radio"/>
Card type selection	<input type="radio"/>	<input type="radio"/>	<input type="radio"/>	<input type="radio"/>	<input type="radio"/>	<input type="radio"/>	<input type="radio"/>	<input type="radio"/>	<input type="radio"/>
Two color printing		<input type="radio"/>	<input type="radio"/>	<input type="radio"/>		<input type="radio"/>	<input type="radio"/>	<input type="radio"/>	<input type="radio"/>
48 hours complete security for power failure			<input type="radio"/>	<input type="radio"/>			<input type="radio"/>	<input type="radio"/>	<input type="radio"/>
Auto IN/OUT shift				<input type="radio"/>				<input type="radio"/>	<input type="radio"/>

Compensation after power failure : Within 36 months after power failure occurred. When power has been restored, the machine requires no adjustment Programming.

Specification:

- | | |
|-------------------------------|--|
| 1. Power supply | 100, 110, 117, 200, 220, 240 V AC (as designated), 50/60 Hz, Monophase. |
| 2. Power consumption | Normally 2W (50W at peak operation) |
| 3. Standard time signal | Quartz oscillation |
| 4. Time accuracy | ± 3 seconds per week |
| 5. Security for power failure | Full operation of all functions for 48 hours after power failure, and memory back-up for subsequent 36 months. |
| 6. Use environment | Temperature: $0^{\circ}\text{C} \sim 40^{\circ}\text{C}$
Humidity: 40% \sim 90% (without condensation) |
| 7. External dimensions | 210mm (w) x 210mm (H) x 180mm (D) |
| 8. Weight | Approx. 6 kg. |
| 9. Standard time card | 86mm (w) x 186mm (H) |
| 10. Accessories | Operation manual 1 copy
Fuses 5 pcs
Keys 2 pcs
Dust cover 1 pc
Lithium battery 1 pc |

Features]

1. Programmed control of work hours
Printing line, 2 color ribbon switching, IN/OUT position, internal melody and external time signal can be optionally set in 69 steps.
2. Weekly program
Day of the week can be programmed in weeks.
3. Automatic month-end adjustment
Month-end adjustment is automatically made irrespective of odd and even months or ordinary or leap year, if it is programmed.
4. Time signal function
Time signal can be set from 0-99 seconds.
5. IN/OUT function (Applicable for full function models)
IN/OUT spacing position can be automatically set by electronic programming.
 - (1) Time can be printed only in the position specified by programming (Tamper-proof function)
 - (2) Time can be printed in other spaces than specified by manually moving the IN/OUT position.
6. Security for power failure
 - (1) Ni-Cd battery ensures printing of time during power failure for about 48 hours.
 - (2) When the battery voltage drops too low for the time to be printed, the LCD display goes off. Both time and programs are retained by a lithium battery for about 36 months.
 - (3) After power is restored, the printing wheels will automatically advance to the present time.
7. Time display
 - (1) The display of digital series is a large, easy-to-read LCD. It shows date, AM/PM time, day of week and other codes.
 - (2) The display of analog series uses a pointer and a small LCD panel for display functions.
8. Special functions (overseas specifications)
Summer time control and automatic month-end adjustment by a special calendar are available.
 - (1) Functions vary with the model. See the table of functions by model on the preceding page.
 - (2) Specifications and functions are subject to change without notice for improvements.

Table of Contents

1. Preparation	1-5
1.How to open and close the case	
2.Installation	
3.Connection to power outlet	
4.Setting functions switches	
2. Display (Names of each lamp and digital display)	5
3. Keyboard	5-6
1.Names and functions	
2.How to use [HO] and [SY] keys	
4. Setting date (T1)	6-7
5. Setting time (T2)	7-9
6. Setting program	9-13
1.Time of date change	
2.Alarm signal duration	
3.Time of alarm	
4.Time of color change	
5.IN/OUT printing position	
7. Summer time (ST)	13
8. Printing wheels adjustment (WT)	14
9. Printing line adjustment	14
10. Replacement of ink ribbon cassette	14-15
11. Power PC board and external signal	15-16
12. Printing during power failure and internal battery	16
13. Trouble shooting	17
14. Warranty	17

1. Preparation

1. How to open and close the case

— To open the case, insert the key, turn it clockwise and pull the case toward you.

— To close the case, push it to the end after adjusting its bottom end to LH and RH side guides on the bottom plate of the main body. Press it in until it reaches the back plate and lock it in place by turning the key counter-clockwise. (Figures 1A and 1B)

Analog series

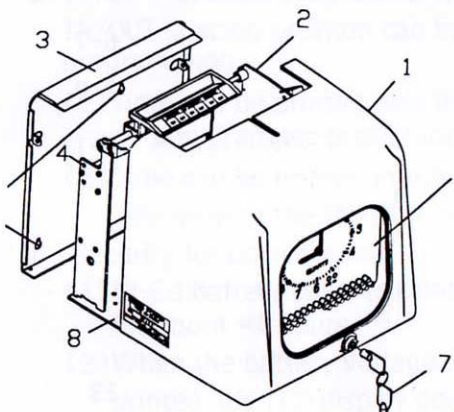


Figure 1A

Digital series

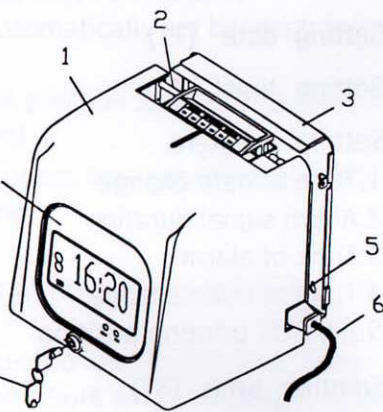


Figure 1B

(1) Case

(2) Body

(3) Back plate

(4) Body attaching screws

(M4 tap, 1 pc each on right and left)

(5) Wall mounting hole (3 places)

(6) Power cord

(7) Key

(8) Bottom plate

(9) Display and keyboard

2. Installation

- Install the recorder on a stand 75 cm to 80 cm high.
- When installing on the wall, remove two (M4) screws (4) the back plate (3), (Figures 1A and 1B) and secure the back plate to the wall with screws.

Set the inner, bottom end of the bottom plate (9) of the body (2) on the bottom of the back plate, align the body attaching screws holes (4) and secure the body and back plate with screws.

*Care for installation

This machine uses a sophisticated microcomputer and precise components and parts. Avoiding installing the machine in any of the following places because its installation in such places can cause trouble to its operation.

- (1) Places where it may be exposed to the direct rays of the sun or high temperature such as near a heater.
- (2) Places where temperature are extremely high.
- (3) Places where it may be exposed to rain water or high humidity conditions, resulting in condensation.

3. Function of fuses

Totaling 6 fuses used in this machine, 3 pcs on power PC board and 3 pcs on main PC board, The functions as follows:

(1) Power PC board:

- F1: For AC power, it blows out when voltage is too high. Spec AC 250V 0.4A
- F2: For external time signal, it blows out when the load of signal is too heavy or short-circuit. Spec. AC 250V 1A
- F3: For back-up Ni-Cd battery, it blows out when the charge current is too high or when short-circuit occurs, Spec MP100

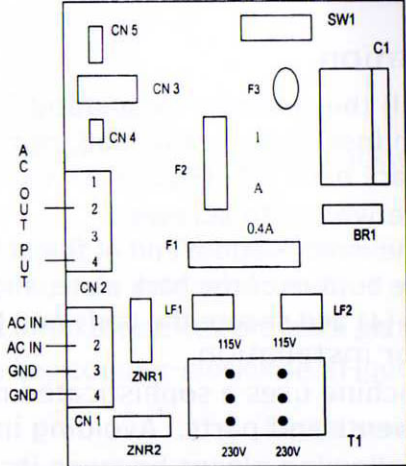
(2) Main PC board:

- F1: For AC power to protect the main board. Spec. MP315.
- F2: Protect color changing solenoid, Spec. MP100.
- F3: Protect DC 5V source, Spec. MP40.

4. Connection to power outlet:

- F1: Connect AC plug cord to the machine and the power outlet, the power lamp will light (green)
- F2: Turn on the switch SW1 of the power PC board located in the right side of the machine.. (Fig. 2)
- F3: Insert the lithium battery with negative pole (-) down to the socket of main board.

Fig. 2



5: Setting functions switches



Fig.3

These switches are normally set as shown. Do not disturb them except switches 1 and 6. If the switches have been turned, it's necessary to press RESET switch to have the new program function.

Setting of each switch prior to shipment from the factory is indicated with an underline. (e. g. ON)

S2-1 Auto IN/OUT Position Select Switch (valid only for full function models)

- ON — Cards can be printed only in the card printing position specified by the program. Even if an attempt is made to print the card in any other location by shifting the card by hand, the recorder will not print the card but return the card to the position specified by the program.
- OFF — Cards can be printed in places other than the IN/OUT position set by the program. In about 30 seconds after card is printed in a shifted place, the IN/OUT position will automatically return to the position set by the program. If no printing is performed after IN/OUT position has been shifted, it will automatically return to the original programmed position in 30 seconds.

S2-2 Minute Signal / External Signal Select Switch

- ON — Minute signal internal drive type. Advances the present time with internal minute signals. Standard independently operated system.
- OFF — Controls time by linking the recorder with another recorder and receiving minute signals from this recorder. Turn off this switch when using your time recorder as a slave unit in order to synchronize minute advances between time recorders.

S2-3 Horizontal / Vertical Printing Select Switch

- **ON** — Standard system to print the date or day of the week vertically and IN/OUT horizontally. (Horizontally mode)
- **OFF** — Weekly system to print the day of the week vertically and IN/OUT horizontally. Subject to various restrictions. (Do not turn off this switch for normal use.)

S2-4 Expanded Function Switch

- **ON** — Not used (Normally, do not turn it on)
- **OFF** — For present functions.

S2-5 Special Function Switch

- **ON** — For special functions.
- **OFF** — For present functions. (Normally, do not turn it off)

S2-6 Reserved Function Switch

- **ON** — Normally, do not turn it on.
- **OFF** — For present functions.

S1 Reset switch (RESET)

- Press this switch when operation has become abnormal or when the red pilot HOLD on P. C. board has turned on. Operation will return to normal without affecting the present time, program memory, etc. and the pilot HOLD on P. C. board will go off.
- If abnormal display or operation should persist even after RESET is pressed, press operation keys **HO** and **ST** in that order. In this case, program data must be entered again.

Note: Manipulation of keys **HO** and **ST** will perform initialization.

Operation of RESET switch will perform partial clear while protecting memory.

When power failure occurred and the voltage of battery dropped lower than 12V, the LCD display will go off and the operation will stop and the recorder will be set to memory protection status. When the power is resumed, the recorder will compensate the time automatically.

Jumper Setting:

This time recorder incorporates two (2) melodies, JP3 is for melody selecting, which has been set in factory on PIN1 and PIN2. To change the melody, JP3 can be set on PIN2 and PIN3.

VR1 is a volume switch, turn it clockwise to highten up the melody, turn it counter - clockwise to low down the melody.

Display (Name of each pilot and digital display)

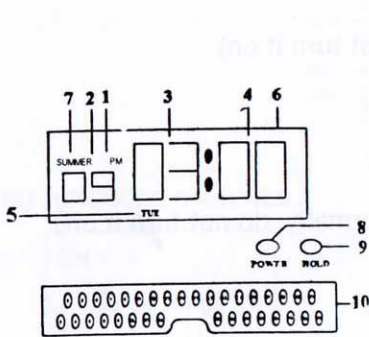


Fig. 4A

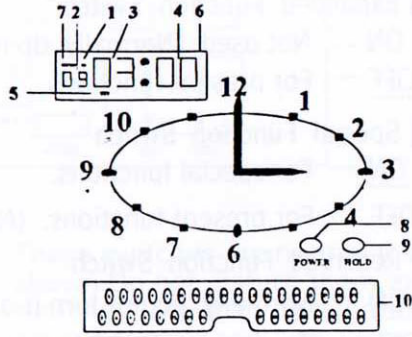


Fig. 4B

- (1) AM / PM
- (2) Date
- (3) Hour
- (4) Minute
- (5) Day of week

- (6) LCD display
- (7) Summer time
- (8) Power pilot (green)
- (9) Hold (red)
- (10) Keyboard

Keyboard

1. Name and functions:

Key	Name	Function
T1	Date	Set the present date
T2	Time	Set the present time
ST	Summer time	Set summer time
WT	Wheel time	Set the time for printing wheels
DA	Printing line	Set the printing line
EN	Enter	Input data in memory

RT	Return	Return to present time display
LN	Duration of melody	Set duration of melody alarm
AL	Alarm	Set time of alarm
CC	Color changing	Set time of color change
I/O	IN / OUT	Set time of IN / OUT auto-shift
X1	Printing wheels (weekly mode)	Set the time for printing wheels for weekly mode
X2	Printing line (weekly mode)	Set the printing line for weekly mode
CL	Clear	Clear input data
0 – 9	Number keys	Enter number
SU – SA	Day of week	Input day of week
EV	Everyday	Input all days of week
HO + ST	Remove	Remove all data and back to intialized state

2. How to use **HO** and **SY** keys

Press **HO** to held time and set the second to zero, the colon on LCD display will stop blinking, then press **HO** to run second again.

Press **SY** will result minute of LCD display and pointer forwarding 1 minute & printing wheel also forward 1 minute. Keep pressing this 1 key to run both " Minute" and the printing wheel (s) every 0.3 second.

4. Present Date (T1)

Set the " Year ", " Month ", " Date " and " Day of week ", proceed as follows :

1. Press **T1** key.
2. Type " Year ", " Month ", " Date " and " Day of week ", in that order, each in 2 digits. Use the specific key for day of week.
3. Press **EN** key.

Example of operation :

Present time : January 9 , 1998 (Thursday)

T1 → **9** **8** **0** **1** **0** **9** **TH** → **EN**

Year Month Date Week Enter

The LCD display will go off after depressing **[EN]** key. If you want to check the date you have just entered, press **[T1]** key. The display will show as belows :

After checking time, press **[RT]** key to get back normal operation

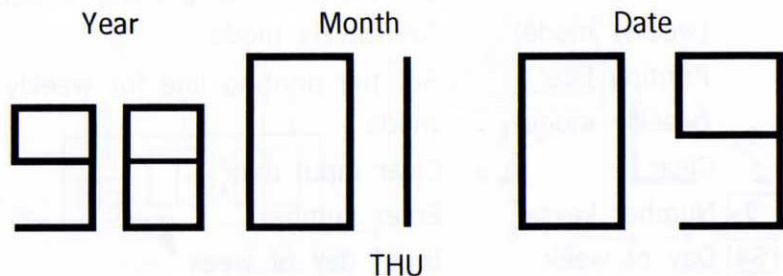


Fig.5

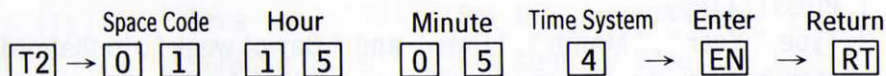
5. Present Time (T2)

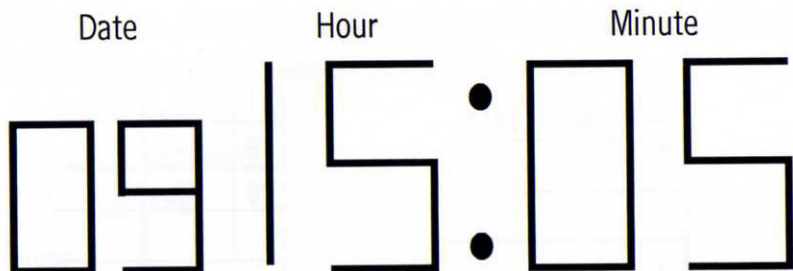
Set time card " Space Code ", " Hour ", " Minute " and " Time System " proceed as follows :

1. Press **[T2]** key.
2. Type. " Space Code ", " Hour ", " Minute " and " Time System " in that order, each in 2 digits, time system in 1 digit.
3. Press **[EN]** key.

Example of operation :

Present time : 03 : 05 (24-hour system) with top blank printing line for 1 day's space.





THU
24-hour system

Figure 6

To check the " Space Code ", " Hour ", " Minute "
press **T2**, the LCD will display as below :

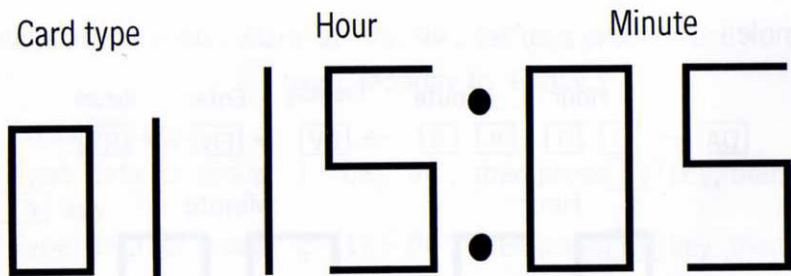


Figure 8

After checking them, press RT key to get back to normal operation.

Set the top blank space on the day following the payroll cut-off date :

Example of setting space code :

DATE	IN	OUT
1		
2		

Time card type 01

19		
20		

Time card type 21

Figure 9

6. Setting Program

1. Setting Printing Line (DA)

Time of day change is pre-set on 00 : 00 . Proceed to change the time of day change to be 03 : 00 as follows :

- (1) Press **[DA]** key.
- (2) Type 03 : 00 each in 2 digits, then press **[EV]** key.
- (3) Press **[EN]** key.

Example :

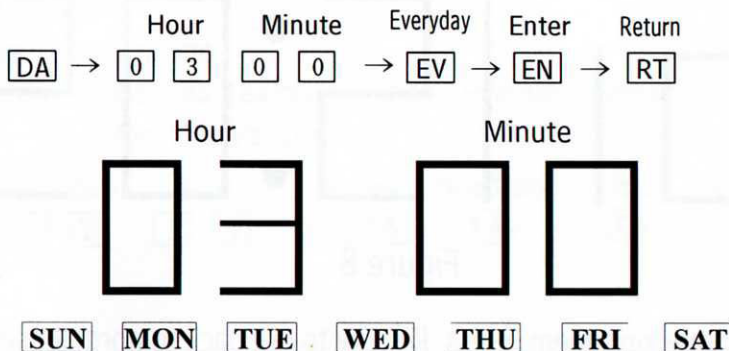


Figure 10

2. Setting Alarm Signal Duration (LN)

The initial setting of alarm signal duration is 5 seconds. If you want to change the duration to 15 seconds, proceed as follows :

- (1) Press **[LN]** key.
- (2) Type 15 seconds.
- (3) Press **[EN]** key.

Example :

 Second Enter Return
[LN] → **[1]** **[5]** → **[EN]** → **[RT]**

If you want to check the data you have just entered, press **[LN]** key, the LCD will display as below :

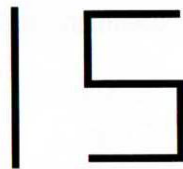
The image shows a digital display with the number '15' in a large, simple, black-outlined font. The '1' is a vertical bar on the left, and the '5' is a vertical bar on the right with a horizontal bar at the top and bottom.

Figure11

3. Setting Time of Alarm (A L)

Totaling 32 groups can be set and can be operated at any given time or on any day of week.

Example of operation : Alarm at 08 : 00 , (all days of week) and at 17 : 00
(from Monday to Friday)

- (1) Press **[AL]** key.
- (2) Type data for group 1 08 : 00 , then press **[EV]** key, then press **[EN]** key.
- (3) Type data for group 2 17 : 00 , then press **[EV]** key, then press **[SU]** and **[SA]** keys. Press **[EN]** key to input data to memory.

Example :

 Group 1 Hour Minute Everyday Enter
[AL] → 01 **[0]** **[8]** **[0]** **[0]** → **[EV]** → **[EN]**

 Group 2 Hour Minute Everyday Sunday Saturday Enter
→ 02 **[1]** **[7]** **[0]** **[0]** → **[EV]** → **[SU]** → **[SA]** → **[EN]**

If you want to check or change the data, press **[AL]** key, the LCD will display data of group 1 you have just entered. If you don't want to change it, press **[EN]** key to move to group 2. Following this procedure to the specific group you want to change, then type the time you want to correct. Press **[EN]** key to input data to memory.

To delete some of the alarm groups you have entered, following the aforementioned procedure to the group which you want to delete, then press **[CL]** key. The LCD will display 6666, then press **[EN]** key.

4. Setting Time of Color Change (CC)

Totalling 18 groups can be set and can be operated at any given time or on any day of week. Odd group imprint RED color, even group imprint BLUE color.

Example of operation: RED printing at 08 : 01 (all days of week) and BLUE printing at 17 : 00 (from Monday to Friday)

(1) Press **[CC]** key.

(2) Type data for group 1 08 : 00, then press **[EV]** key, then press **[EN]** key.

(3) Type data for group 2 17 : 00, then press **[EV]** key, then press **[SU]** and **[SA]** keys. Press **[EN]** key to input data to memory.

Example :

	Group 1	Hour	Minute	Everyday	Enter
[CC]	→ 01	[0] [8]	[0] [1]	→ [EV]	→ [EN]

	Group 2	Hour	Minute	Everyday	Sunday	Saturday	Enter
	→ 02	[1] [7]	[0] [0]	→ [EV]	→ [SU]	→ [SA]	→ [EN]

If you want to check or change the data, press **[CC]** key, the LCD will display data of group 1 you have just entered. If you don't want to change it, press **[EN]** key to move to group 2. Following this procedure to the specific group you want to change, then type the time you want to correct. Press **[EN]** key to input data to memory.

To delete some of the groups of color change you have entered, following the aforementioned procedure to the group which you want to delete, then press **CL** key. The LCD will display 6666 , then press **EN** key.

5. Setting Time of IN / OUT Auto-shift Position (IO)

Applicable for full functions model only. Totaling 18 groups can be set and can be operated at any given time or on any day of week.

The position code has to be typed before input the time of auto-shift. The position codes as bellows :

- | | |
|------------------|-------------------|
| 11. Morning IN | 12. Morning OUT |
| 13. Afternoon IN | 14. Afternoon OUT |
| 15. Overtime IN | 16. Overtime OUT |

Example of operation: Morning IN 07 : 00 (everyday)

Afternoon OUT 04 : 00 PM (from Monday to Friday)

(1) Press **IO** key.

(2) Type position code 11 , then type 0700 ,then press **EV** key, then press **EN** key.

(3) Type position code 14 , then type 1600 ,then press **EV** key, then press **SU** and **SA** keys, then press **EN** key to input data to memory.

Example :

Position Code Hour Minute Everyday Enter
IO → **1** **1** **0** **7** **0** **0** → **EV** → **EN**

Position Code Hour Minute Everyday Sunday Saturday Enter
→ **1** **4** **1** **6** **0** **0** → **EV** → **SU** → **SA** → **EN**

If you want to check or change the data, press **IO** key, the LCD will display data of group 1 you have just entered. If you don't want to change it, press **EN** key to move to group 2 . Following this procedure to the specific group you want to change, then type the time you want to correct. Press **EN** key to input data to memory.

To delete some of the groups of IN/OUT auto-shift you have entered, following the aforementioned procedure to the group which you want to delete, then press **CL** key. The LCD will display 666666 , then press **EN** key.

Summer Time (ST)

To set or delete summer time , 2 groups must be set simultaneously. Set group 1 to start summer time, group 2 to end summer time. The starting and ending time may be set to any " HOURS " between 0 AM and 9 AM.

Example of operation: Starting date and time: April 1 , 04 : 00
Ending date and time: October 1 , 04 : 00

- (1) Press **ST** key.
- (2) Type summer time starting date and time 0401 4 ,then press **EN** key.
- (3) Type summer time ending date and time 1001 4 ,then press **EN** key.

Example :

(Auto display)

Group 1	Month	Date	Hour	Enter
ST → 0 1	0 4	0 1	→ 4	→ EN

(Auto display)

Group 2	Month	Date	Hour	Enter
→ 0 2	1 0	0 1	→ 4	→ EN

* Note : Type " Hour " in 1 digit and which will not be shown on LCD.

If you want to check or change the data, press **ST** key, the LCD will display data of group 1 you have just entered. If you don't want to change it, press **EN** key to move to group 2 .

To delete data of summer time, following the aforementioned procedure to the group you want to delete, then press **CL** key. The LCD will display 6666, then press **EN** key to input data to memory.

8. Printing Wheels Adjustment (WT)

To synchronise the time of printing wheels and the time that CPU send to LCD display , press the **[WT]** key and then use a time card to print the time of printing wheels. Type the time of printing wheels , the printing wheels will be synchronized automatically and display will go off. Press **[RT]** key , the LCD will display the present time.

- (1) Press **[WT]** key.
- (2) Use a time card to print the time of printing wheels.
- (3) Type the date, hour and minute (each in 2 digits) and then press **[EN]** key. The LCD display will go off.
- (4) Press **[RT]** key.

9. Printing Line Adjustment

Repeatedly push the printing line lever (Fig . 11) until the card printing line is adjusted to the right position.

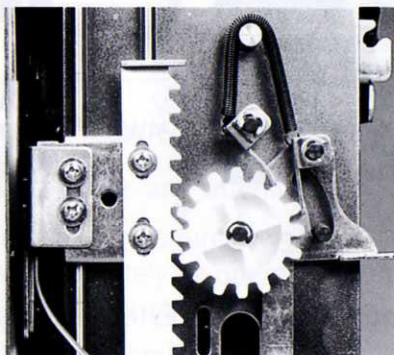


Figure 11

10. Replacement of the Ink Ribbon Cassette

To replace the ink ribbon cassette, proceed as follows :

- (1) Pull out the shaft (1) in figure 12 toward left.
* The left-hand of the shaft is locked by a pawl, and the right-hand of the shaft is locked by a spring, unlock them to pull out the shaft.
- (2) Open the display block by pulling and turning its left-hand side toward you.
- (3) Press leaf spring (3) on the right-hand side of printing block (2) toward the printing block side and disengage knob (5) of ribbon cassette (4) from the leaf spring by slightly pressing the knob toward the right.
- (4) As shown in fig. 12 , remove the old cassette from holder (6) and install a new one.

(5) Tighten the ribbon by turning take-up knob (7) and adjust the ribbon until it comes between the printing wheel and printing head (8) and the cassette is engaged with ribbon feed gear (9) .

* If the cassette cannot be engaged with ribbon feed gear (9), slightly turn take-up knob (7) until the cassette is engaged with the gear.

(6) Return the printing block to the original position, insert the shaft and return the display unit to the original position.

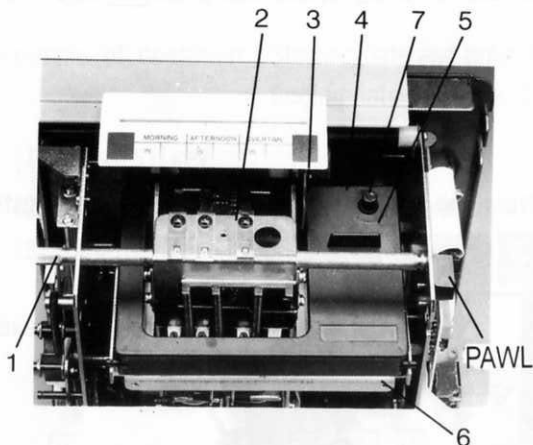


Figure 12

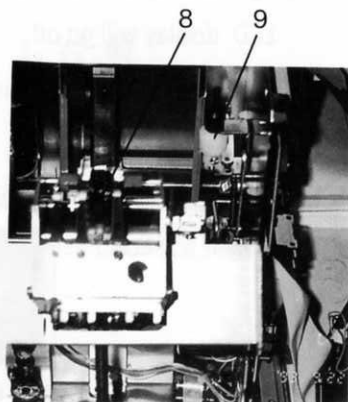


Figure 13

11. Power Board and Connection of External Signal Power Board :

Power Board :

F1: Fuse for AC power 0.4 A.

F2: Fuse for external sounding device 1A.

F3: Fuse for rechargeable battery 1A.

SW1: DC power switch.

If the current consumption of external siren or bell exceeds 1A, you are requested to install an additional relay to control buzzer.

* Please note that the power supply of external siren or bell must be independent.

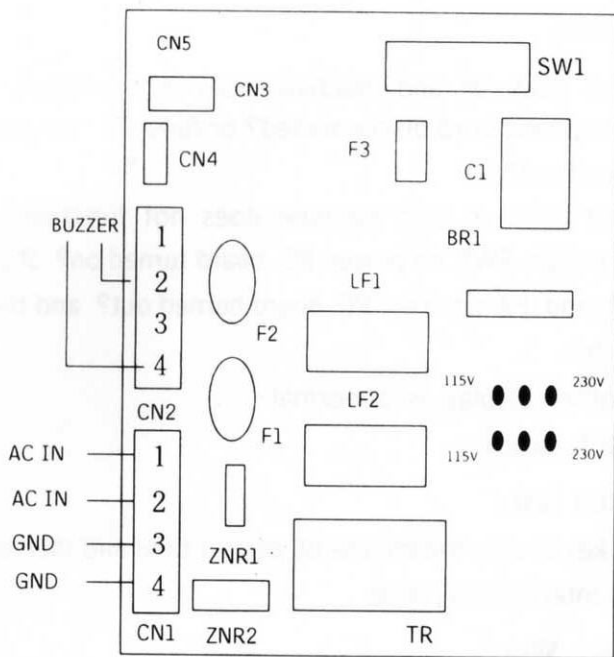


Figure. 14

12. Printing during power failure and internal battery

(1) Operation during power failure

The recorder can completely be operated even during power failure by its internal battery for about 48 hours.

(2) Power failure for long hours

If power failure continues for longer hours than the guaranteed period (48 hours), cards can no longer be printed because the mechanical sections stop their operation. However, program data can be protected for 36 months by the lithium battery on PC board.

(3) Operation when power has been restored

Use the recorder as it is. The machine requires no adjustment Programming when power has been restored.

(4) Internal battery

The internal battery is used as a back-up power for the machine. Disconnect the power source frequently can reduce the battery life.

13. Trouble Shooting

- (1) Power pilot goes off and machine does not function :
Check if the power cord disconnected? or fuse F1 on power PC board burned out?
- (2) Power pilot light up and machine does not function :
Hasn't the switch SW1 on power PC board turned on? If yes, check if fuses F1 and F3 on main PC board burned out? and then press RESET switch.
- (3) Time or other display is abnormal :
Press RESET switch.
- (4) Clock is too fast :
Press **[HO]** key to stop the minute till correct time and then press **[HO]** key to enter normal mode.
- (5) Clock is too slow :
Press **[SY]** key to fast advance minute.
- (6) Printed time does not agree with displayed time :
Adjust the printing wheels by referring to printing wheel adjustment
Page 14.

14. Warranty

Your time recorder has been manufactured under strict quality control and has passed rigid inspection before shipment. The machine is warranted free of charge for one year after sale. If you have questions, inquiries, etc., contact your distributor.